

ILLUSTRATED PARTS BREAKDOWN

PARTNER

15.5 HP, 42" MOWER DECK

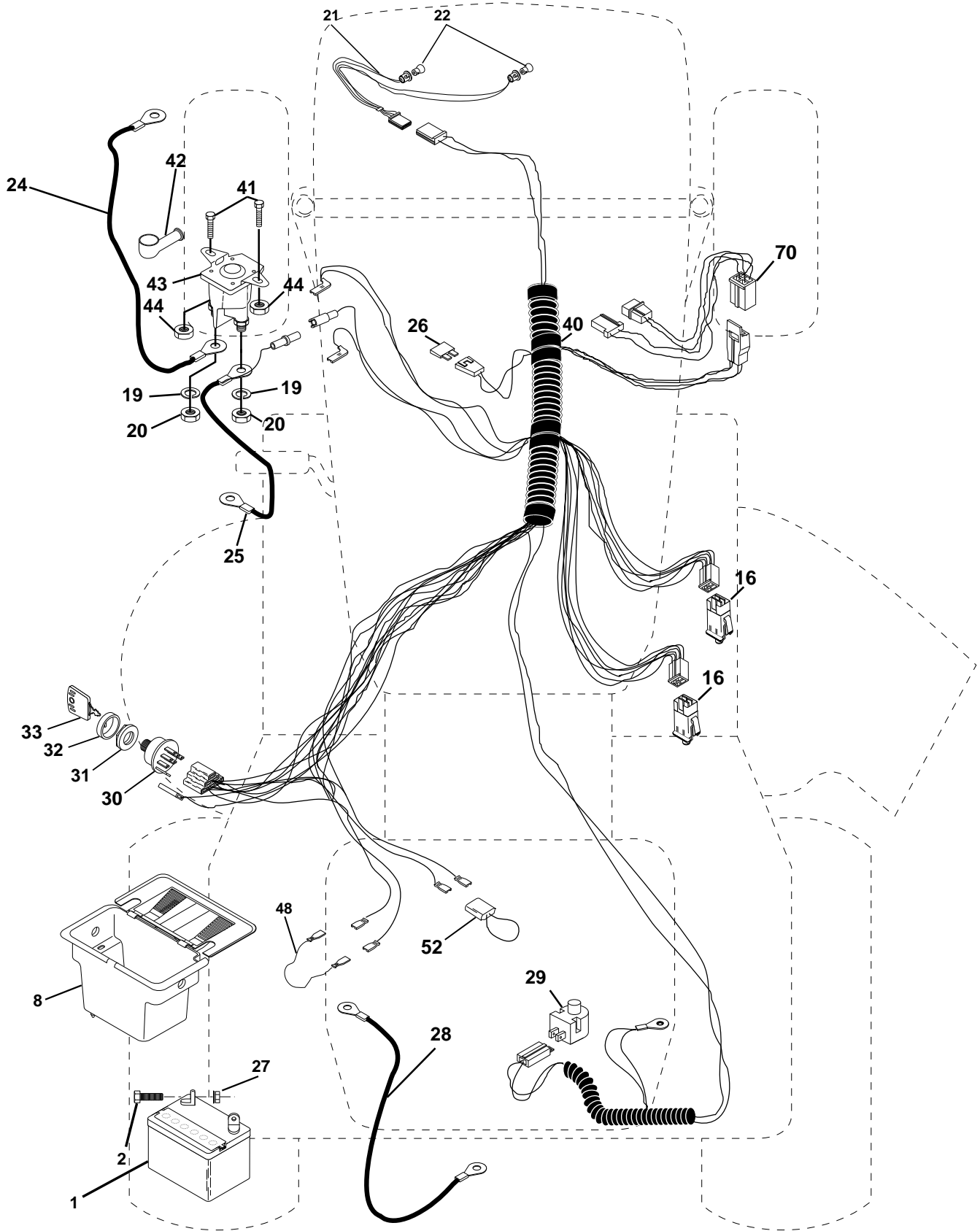
LAWN TRACTOR

MODEL NUMBER P155H42C

954 20 00-10

REPAIR PARTS

TRACTOR - MODEL NUMBER P155H (P155H42C), PRODUCT NO. 954 20 00-10
ELECTRICAL



REPAIR PARTS

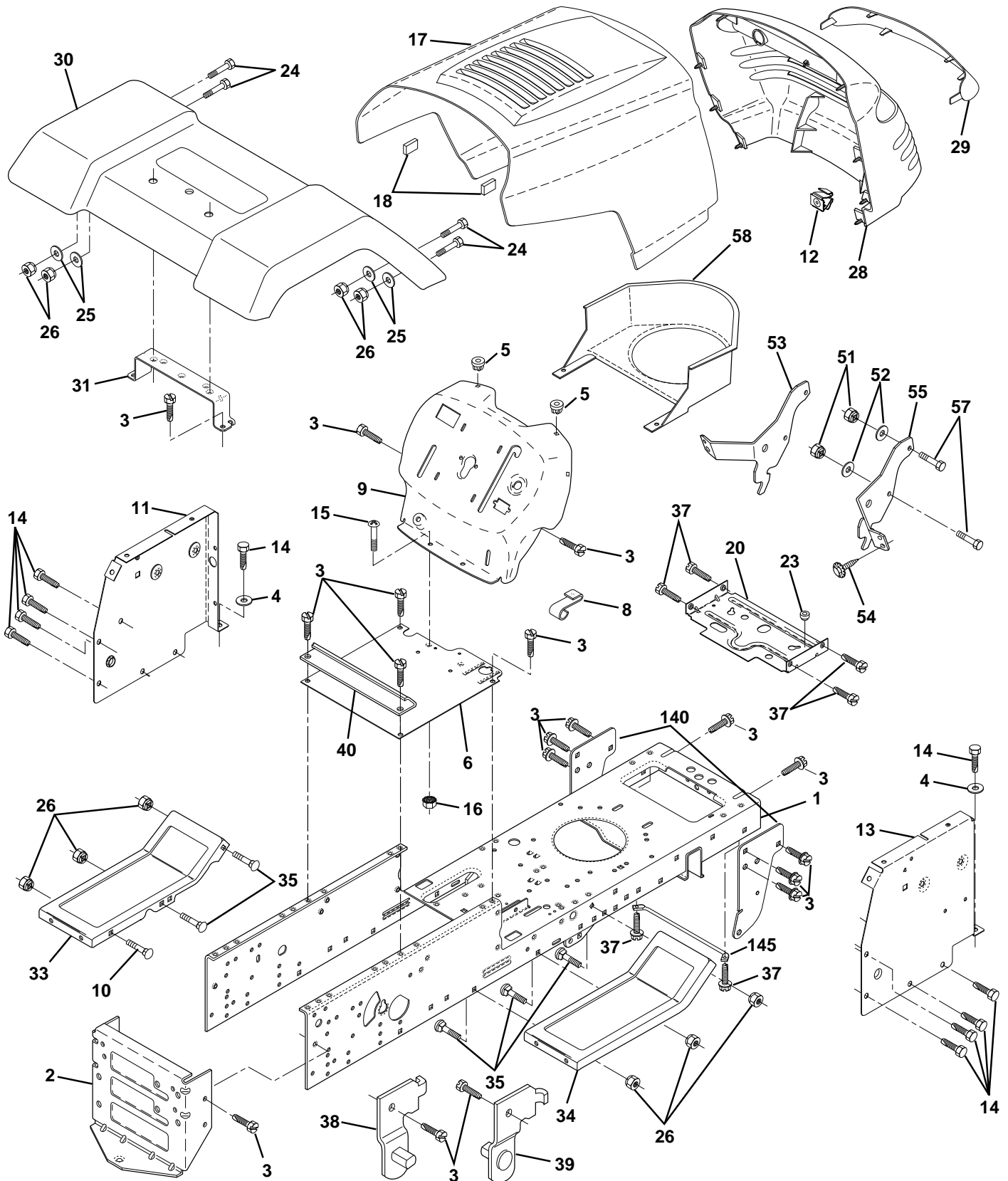
TRACTOR - MODEL NUMBER P155H (P155H42C), PRODUCT NO. 954 20 00-10
ELECTRICAL

KEY PART NO. NO.	DESCRIPTION
1 532144925	Battery 12 Volt 25 Amp Wet
2 874760412	Bolt Hex Hd 1/4-20unc X 3/4
8 532156417	Battery Case
16 532153664	Switch Intlk Clutch Gry 4 Term
19 810090400	Washer Lock 1/4
20 873350400	Nut Jam Hex 1/4-20 Unc
21 532166181	Harness Asm Light W/4152j
22 532004152	Bulb Light #1156
24 532124780	Cable Battery 6 Ga 11"red
25 532146147	Cable Battery 6 Ga 44"red W/16 Wire
26 532166180	Fuse 15 AMP
27 873510400	Nut Keps Hex 1/4-20 Unc
28 532124773	Cable Ground 6 Ga 12"black
29 532121305	Switch Plunger Nc Gray
30 532140301	Switch Ign 4 Pos. w/Lights
31 532124211	Nut Ignition
32 532141226	Cover Switch Ignition
33 532122147	Key Ign
40 532166145	Harness Ign
41 871110408	Bolt Fin Hex 1/4-20 x 1/2
42 532131563	Cover Terminal Red
43 532145673	Solenoid
44 873640400	Nut Keps Hex 1/4-20 Unc
48 532140844	Adapter Ammeter Rectangular
52 532141940	Protection Wire Loop
70 532166659	Harness Eng.

NOTE: All component dimensions given in U.S. inches
1 inch = 25.4 mm

REPAIR PARTS

TRACTOR - MODEL NUMBER P155H (P155H42C), PRODUCT NO. 954 20 00-10
CHASSIS AND ENCLOSURES



REPAIR PARTS

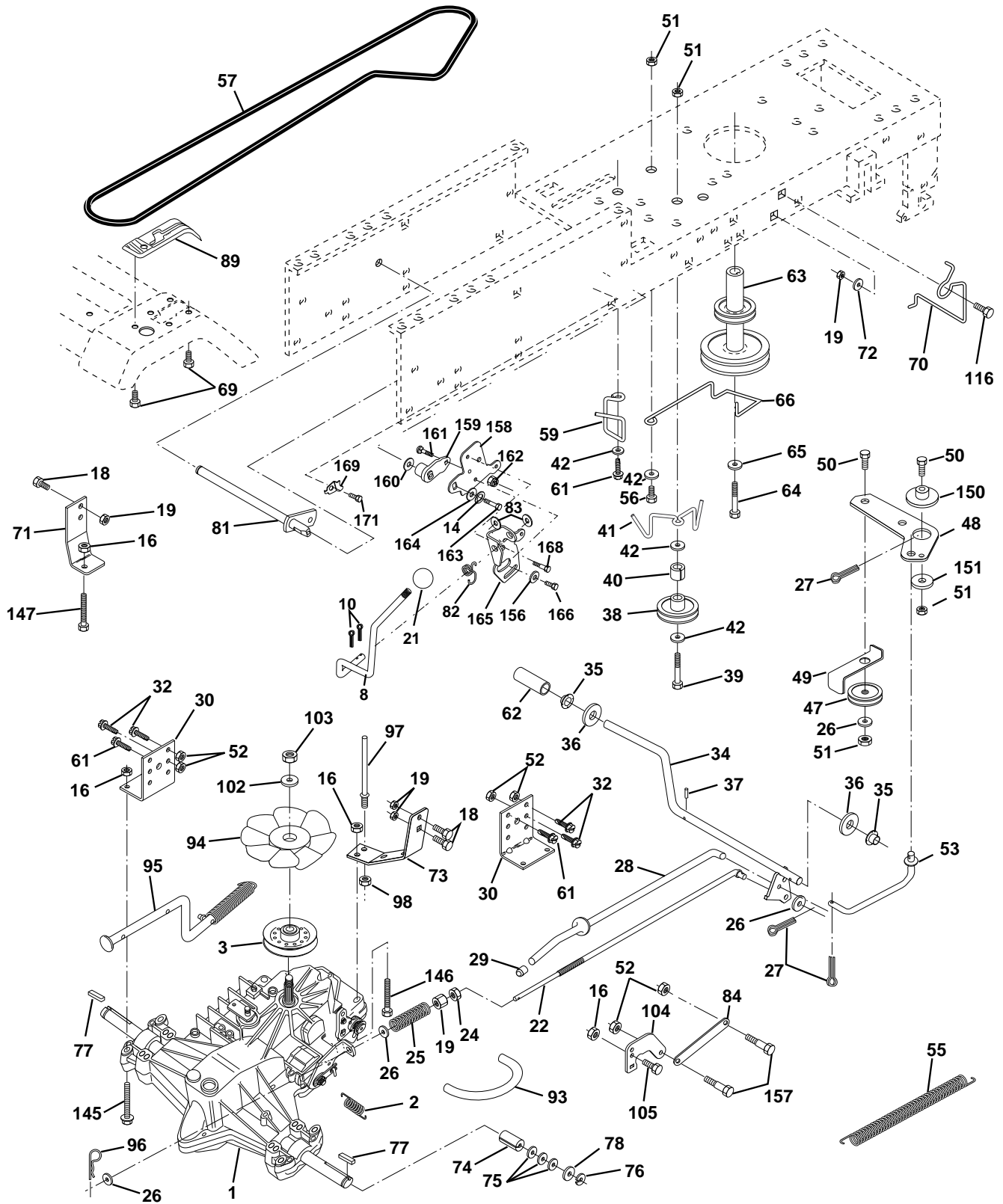
TRACTOR - MODEL NUMBER P155H (P155H42C), PRODUCT NO. 954 20 00-10 CHASSIS AND ENCLOSURES

KEY NO.	PART NO.	DESCRIPTION
1	532165480	Chassis Stamping
2	532140356	Drawbar Stretch 94
3	817490612	Screw Thdrol. 3/8-16 x 3/4 Ty-Tt
4	819131216	Washer 13/32 x 3/4 x 16 Ga.
5	532155272	Bumper Hood/Dash
6	532155923	Saddle Lt Fender Shift
8	532126471	Clip Insulator Mtg Hole .406
9	532162717	Dash Private Label
10	872140608	Bolt RdHd Sqnk. 3/8-16 Unc x 1
11	532155927	Panel Asm. Dash Lh Private Lable
12	532145660	Clip Tinnerman Grille P/L
13	532169118	Panel Dash Rh Lt Private Label
14	817490608	Screw Thdrol. 3/8-16 x 1/2 Ty-Tt
15	874180512	Screw Mech Trhd. 5/16
16	873510500	Nut Keps Mach 1
17	532160382	Hood Pnt Steel Private Label
18	532126938	Bumper Hood
20	532156437	Plate Mtg Battery/Fuel Tank
23	532124028	Bushing Snap Nyl. Blk Fuel Line
24	874780616	Bolt Fin Hex 3/8-16 Unc x 1
25	819131312	Washer 13/32 x 13/16 x 12 Ga.
26	873800600	Nut Lock Hex w/Ins 3/8-16 Unc
28	532157375	Grill Private Lable Blk
29	532168154	Lens Grille Private label
30	532169200	Fender Pnt Ltst Rod w/shft
31	532139976	Bracket Support Fender
33	532147203	Footrest Pnt. Lh
34	532147202	Footrest Pnt. Rh
35	872110606	Bolt RdHd Sht. Sqnk. 3/8-16 x 3/4
37	817490508	Screw Thdrol. 5/16-18 x 1/2 Tyt
38	532139886	Bracket Asm. Pvt. Lh Mwr. Rear
39	532139887	Bracket Asm. Pvt. Rh Mwr. Rear
40	532139977	Spacer Fender Raised LT
51	873800400	Nut Lock Hex W/Ins. 1/4-20
52	819091416	Washer 9/32 x 7/8 x 16 Ga.
53	532144697	Bracket Grille LH
54	532161464	Screw Hex Wshd 8-18 x 7/8
55	532144696	Bracket, Grill RH
57	874780412	Bolt Fin Hex 1/4-20 x 3/4
58	532150127	Air Duct Private Label
140	532158418	Bracket Front Suspension
145	532156524	Rod Pivot Chassis/ Hood
--	532005479	Plug Button Blk 359 Dia Choke

NOTE: All component dimensions given in U.S. inches
1 inch = 25.4 mm

REPAIR PARTS

TRACTOR - MODEL NUMBER P155H (P155H42C), PRODUCT NO. 954 20 00-10
DRIVE



REPAIR PARTS

TRACTOR - MODEL NUMBER P155H (P155H42C), PRODUCT NO. 954 20 00-10

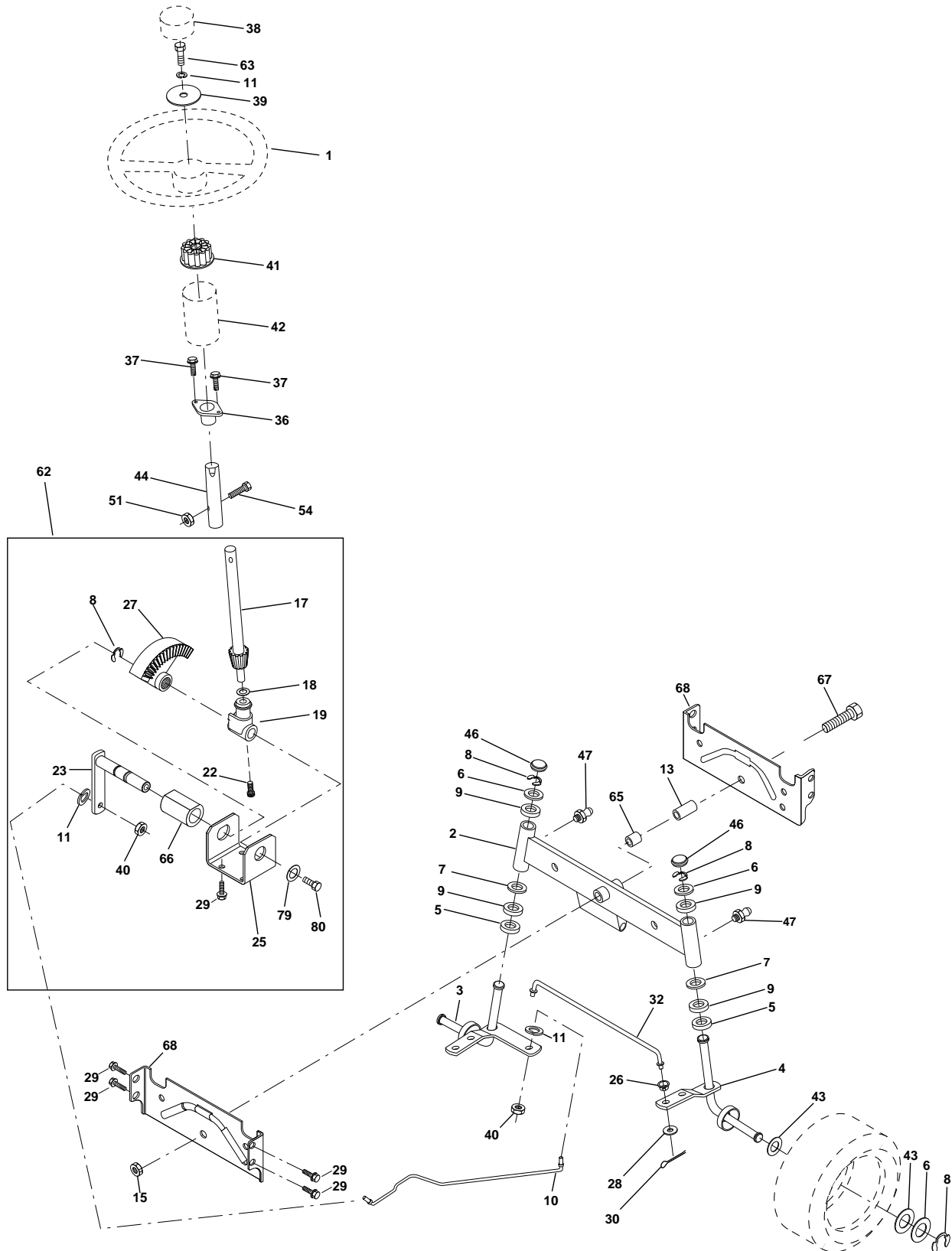
DRIVE

KEY NO.	PART NO.	DESCRIPTION	KEY NO.	PART NO.	DESCRIPTION
1	-----	Transaxle Hydro Gear 319-0650 (Order parts from transaxle manufacturer)	69	532142432	Screw
2	532142431	Spring, Return, Brake	70	532134683	Keeper Belt Engine
3	532143995	Pulley, Transaxle	71	532140158	Strap Torque Lh Hydro 18/20" T
8	532165619	Rod Shift Fender adjust LT	72	819132012	Washer 13/32 x 1-1/4 x 12 Gauge
10	876020416	Pin Cotter 1/8 x 1 CAD	73	532156347	Strap Torque Rh Hydro
14	810040400	Washer Lock Hvy Helical	74	532121199	Spacer, Split
16	873800500	Nut Lock Hex W/Ins. 5/16-18 Unc P	75	532121749	Washer 25/32 x 1-1/4 x 16 Gauge
18	874780616	Bolt Fin Hex 3/8-16 Unc x 1 Gr. 5	76	812000001	E-Ring
19	873800600	Nut Lock Hex W/Wsh 3/8-16 Unc	77	532123583	Key, Square
21	532140845	Knob 1/2-13	78	532121748	Washer 25/32 x 1-5/8 x 16 Gauge
22	532145627	Rod, Brake Hydro	81	532165591	Shaft Asm. Cross
24	873350600	Nut	82	532123782	Spring Torsion T/A
25	532106888	Spring, Brake Rod	83	819171216	Washer 17/32 x 3/4 x 16 Ga.
26	819131316	Washer	84	532165815	Link Transaxle 0650 LT
27	876020412	Pin Cotter 1/8 x 3/4 CAD.	89	532166767	Console, Shift
28	532145204	Rod, Parking Brake	93	532142564	Line Fuel Hydro 4"
29	532071673	Cap, Parking Brake	94	532140462	Fan, Hydro 7"
30	532130807	Bracket, Transaxle	95	532167696	Control Asm Bypass Hydro
32	874760512	Bolt Hex Hd 5/16-18 Unc x 3/4	96	532124788	Retainer Spring 1" Zinc/Cad
34	532155071	Shaft, Foot Pedal	97	532140469	Keeper Bolt Rh Hydro 0750. 18/20"
35	532120183	Bearing, Nylon	98	873510600	Nut Keps Hex 3/8-16 Unc
36	819211616	Washer	102	532141322	Washer Beliville .501D x 1.50D
37	532124963	Pin, Roll	103	873940800	Nut Hex Jam Toplock 1/2-20 Unf
38	532131494	Pulley, Idler, Flat	104	532140156	Arm, Control Hydro
39	874760644	Bolt	105	871070516	Screw Cap Hex 5/16 x 18 x 1
40	532124965	Spacer, Split	116	872110610	Bolt Rdhd Sq Neck 3/8-16 x 1.25
41	532165838	Keeper, Belt Idler	145	874490540	Bolt Fin Hex 5/16-18 Unc x Gr. 5
42	819131312	Washer 13/32 x 13/16 x 12 Gauge	146	874490536	Bolt Hex Flghd 5/16-18 Unc x 1-1/4
47	532127783	Pulley, Idler, V-Groove	147	874490524	Bolt hex Flghd 5/16-18 Unc x 2
48	532154407	Bellcrank Clutch Grnd Drive Stl	150	532165850	Bushing Bellcrank Grd Drive
49	532123205	Retainer, Belt	151	819133210	Washer 13/32 x 2 x 10 Ga.
50	874760624	Bolt	156	532166002	Washer Srrted 5/16ID x 1.125
51	873680600	Nut	157	532153236	Bolt Shoulder 5/16-18 Unc - 2A
52	873680500	Nut Crownlock 5/16-18 UNC	158	532165589	Bracket Shift Mount
53	532105710	Link, Clutch	159	532165494	Hub Tapered Flange Shift Lt
55	532105709	Spring, Return, Clutch	160	819292016	Washer 29/32 x 1/4 x 16 Ga
56	874760620	Bolt Fin Hex 3/8-16 x 1-1/4	161	872140406	Bolt Rdhd Sqnk 1/4-20 x 3/4 Gr 5
57	532140294	V-Belt, Ground Drive	162	873680400	Nut Crownlock 1/4-20 Unc
59	532140312	Keeper, Center Span	163	874780416	Bolt Hex Fin 1/4-20 Unc x 1 Gr 5
61	817490612	Screw Thdrol. 3/8-16 x 3/4 Ty. TT	164	819091010	Washer 5/8 x .281 x 10 Ga
62	532124872	Cover, Pedal	165	532165623	Bracket Pivot Lever
63	532140186	Pulley, Engine	166	532166880	Screw 5/16-18 x 5/8
64	871170764	Bolt, Hex	168	532165492	Bolt Shoulder 5/16-18 x .561
65	810040700	Washer	169	532165581	Plate Fastening Lt
66	532154778	Keeper Belt Engine	171	817490608	Screw Thdrol 3/8-16 x 1/2 Ty-Tt

NOTE: All component dimensions given in U.S. inches.
1 inch = 25.4 mm.

REPAIR PARTS

TRACTOR - MODEL NUMBER P155H (P155H42C), PRODUCT NO. 954 20 00-10
STEERING ASSEMBLY



REPAIR PARTS

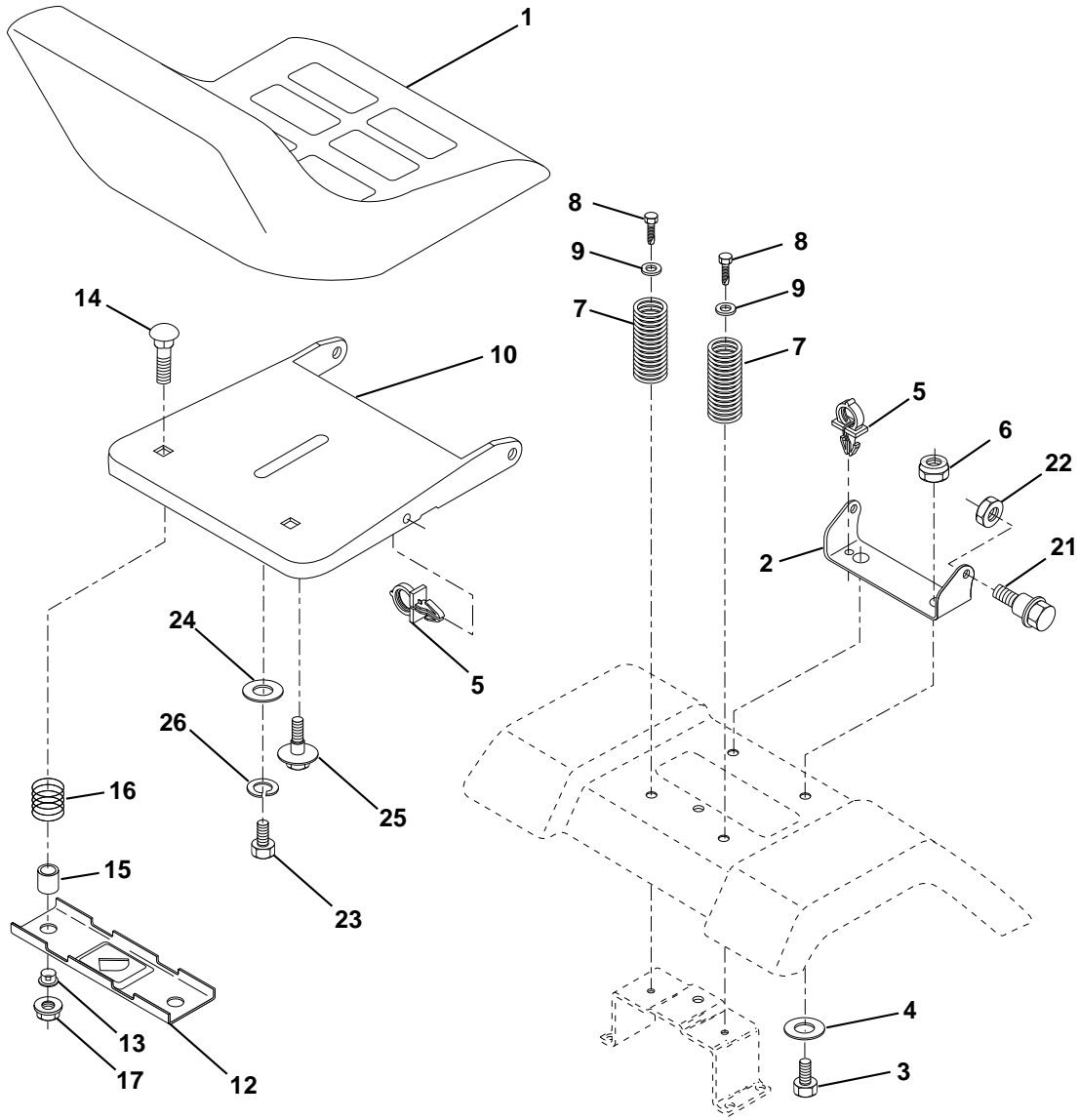
TRACTOR - MODEL NUMBER P155H (P155H42C), PRODUCT NO. 954 20 00-10 STEERING ASSEMBLY

KEY NO.	PART NO.	DESCRIPTION
1	532139768	Wheel Steering Opp Sears Blk
2	532154427	Axle Asm Stmp Dropped Stl
3	532156483	Spindle Asm LH
4	532157473	Spindle Asm RH
5	532124931	Bearing Race Thrust Harden
6	532121748	Washer 25/32 X 1-5/8 X 16 Ga
7	819272016	Washer 27/32 X 1-1/4 X 16 Ga
8	812000029	Ring Klip #15304-75
9	532124937	Bearing Col Strg Blk
10	532156438	Link Drag Extended Stamped
11	810040600	Washer Lock Hvy Hlcl Spr 3/8
13	532154779	Bearing Axle
15	873901000	Nut Lock Flange 5/8-11 Unc
17	532156546	Shaft Asm Strg
18	532057079	Washer Thrust 515x 750x 033
19	532160395	Support Shaft
22	532165857	Screw Hex Wshhd Torx
23	532165851	Shaft Asm Pittman
25	532154406	Bracket Steering
26	532126847	Bushing Link Drag Blk LR
27	532136874	Gear Sector 22 Teeth
28	819131416	Washer 13/32 X 7/8 X 16 Ga
29	817490612	Screw Thdrol 3/8-16x3/4 Ty-tt
30	876020412	Pin Cotter 1/8 X 3/4 Cad
32	532130465	Rod Tie Wire Form 19 75 Mech
36	532155099	Bushing Steering
37	532152927	Screw TT #10-32 x 5 x 3/8 Flange
38	532140175	Cap Wheel Steer P/L
39	819133808	Washer 13/32 x 2-3/8 x 8 Ga
40	532124701	Nut Lock Center 3/8-24 Unf
41	532100711	Adapter Wheel Strg
42	532145054	Boot Shaft Steering
43	532121749	Washer 25/32 X 1 1/4 X 16 Ga
44	532153720	Shaft Extension Steering
46	532121232	Cap Spindle Fr Top Blk
47	532124836	Fitting Grease
51	873800500	Nut Lock Hex W/Ins. 5/16-18 Unc P
54	874780520	Bolt Fin Hex 5/16-18 Unc P
62	532167902	Kit Steering Asm Service
63	874780616	Bolt Fin Hex 3/8-16 UNC x 1 Gr. 5
65	532154780	Spacer Axle
66	532154404	Bearing Arm Pittman
67	874781044	Bolt Fin Hex 5/8-11 UNC x 2-3/4
68	532154429	Brace Axle
79	819132012	Washer 13/32 x 1-1/4 x 12 Ga.
80	874950612	Bolt Hex Nylon 3/8-16 x 3/4

NOTE: All component dimensions given in U.S. inches
1 inch = 25.4 mm

REPAIR PARTS

TRACTOR - MODEL NUMBER P155H (P155H42C), PRODUCT NO. 954 20 00-10
SEAT



KEY NO.	PART NO.	DESCRIPTION
1	532140117	Seat 2400/1416 Blk/blk Std
2	532140551	Bracket Pivot Seat
3	874760616	Bolt Fin Hex 3/8-16unc X 1
4	819131610	Washer 13/32 X 3/4 X 10 Ga
5	532145006	Clip Push-In
6	873800600	Nut Lock Hex w/Ins 3/8-16 Unc
7	532124181	Spring Seat Cprsn 2 250 Blk Zi
8	817490616	Screw Thdrol 3/8-16 X 1 Ty-tt
9	819131614	Washer 13/32 X 1 X 14 Ga
10	532155925	Pan Seat
12	532121246	Bracket Mounting Switch
13	532121248	Bushing Snap Blk Nyl 50 Id

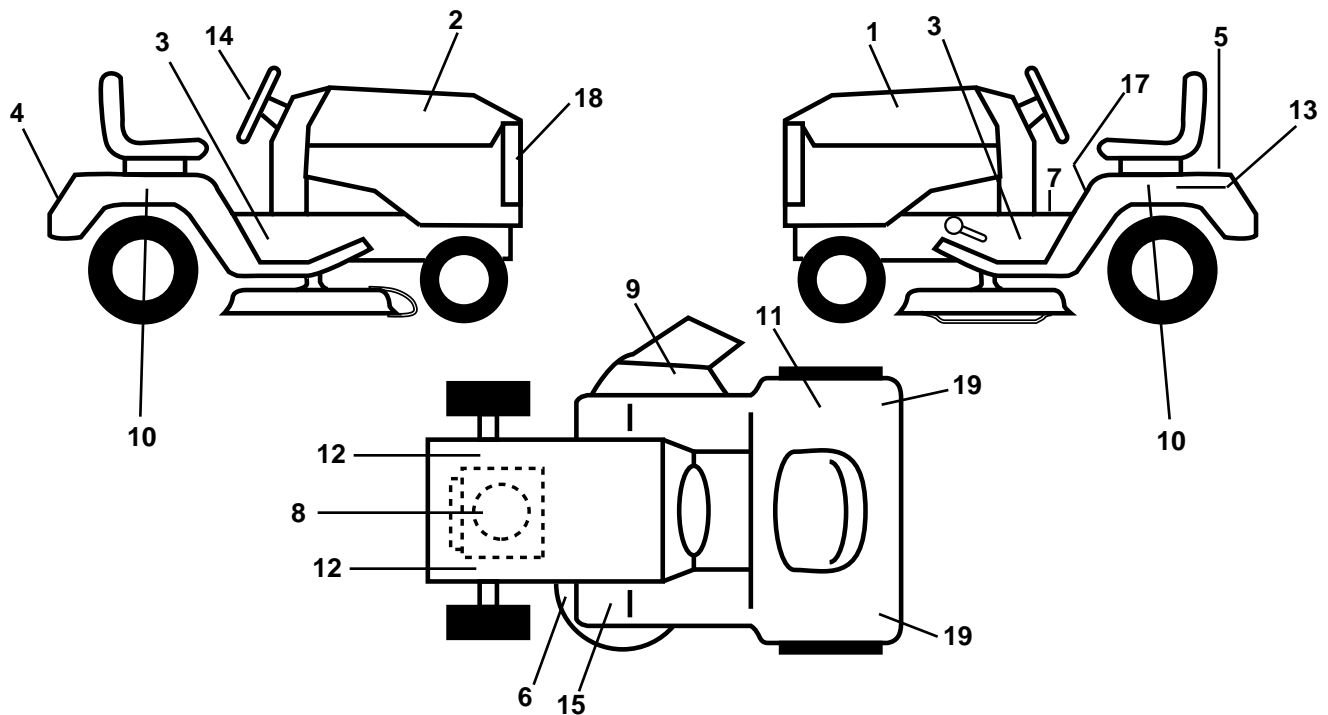
KEY NO.	PART NO.	DESCRIPTION
14	872050412	Bolt Rdhd Sht Nk 1/4-20x1-1/2
15	532134300	Spacer Split 28x 96 Yel Zinc
16	532121250	Spring Cprsn 1 27 Blk Pnt
17	532123976	Nut Lock 1/4 Lge Flg Gr 5 Zinc
21	532153236	Bolt Shoulder 5/16-18 UNC-2A
22	873800500	Nut Lock Hex w/Ins 5/16-18
23	874780814	Bolt Fin Hex 1/2-13 x 7/8 Gr. 5
24	819171912	Washer 17/32 X 1-3/16 X 12 Ga.
25	532127018	Bolt Shoulder 5/16-18 X 62
26	810040800	Washer Lock Hvy Hlcl Spr 1/2

NOTE: All component dimensions given in U.S. inches
1 inch = 25.4 mm

REPAIR PARTS

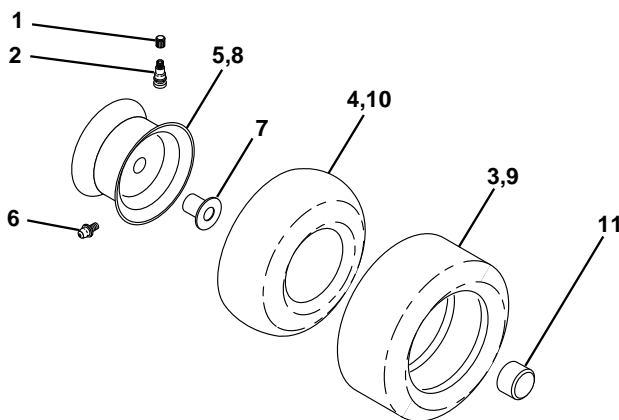
TRACTOR - MODEL NUMBER P155H (P155H42C), PRODUCT NO. 954 20 00-10

DECALS



KEY NO.	PART NO.	DESCRIPTION	KEY NO.	PART NO.	DESCRIPTION
1	532166752	Decal Hood LH	13	532145005	Decal Battery Dan/Poi P/L
2	532166751	Decal Hood RH	14	532146998	Decal Strg Wheel
3	532137588	Decal Chass Turbo Collection	15	532159737	Decal Brake/Clutch Symbol LT
4	532140987	Decal Fender Logo	17	532145498	Decal Read Owner's Manual Sym
5	532126187	Decal 100 Dba	18	532140986	Decal Logo Grille
6	532160396	Decal V-Belt Sch 38"/42" LT	19	532106202	Reflector Tail Light Red/amber
7	532140837	Decal Saddle Brake Parking	-	532162598	Decal Drawerbar Load Limit
8	532165365	Decal Engine B&S	-	532138311	Decal Handle Lft Height Adjust
9	532145494	Decal Mower Cutfinger Symbol	-	532142341	Decal Drawbar Control
10	532140950	Decal Fend. Auto. Partner	-	532157199	Pad Footrest Sq Generic
11	532145437	Decal Europe Stand CE	-	532164986	Manual Oper (Euro)
12	532159736	Decal Chassis Hot Muffler	-	532164987	Manual Oper (Scand)

WHEEL

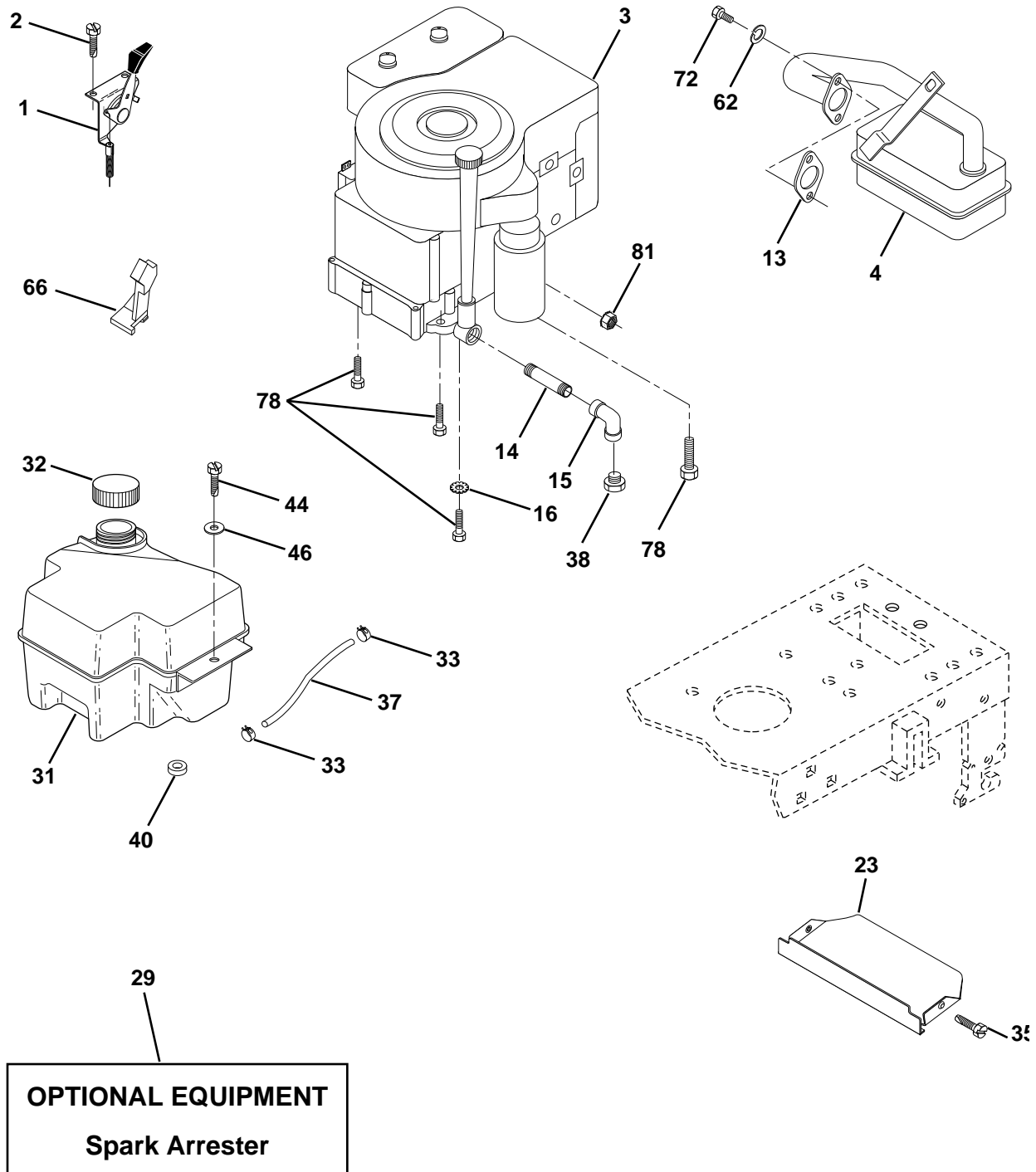


KEY NO.	PART NO.	DESCRIPTION
1	532059192	Cap Valve Tire
2	532065139	Stem Valve
3	532106222	Tire F Ts 15 X 6 0 - 6 Service
4	532059904	Tube Front (Service Item Only)
5	532125121	Rim Asm 6" front Yellow Service
6	532124957	Fitting Grease (Front Wheel Only)
7	532124959	Bearing Flange (Service Item Only)
8	532125122	Rim Asm 8" rear Yellow Service
9	532122082	Tire R Ts 18x9 5-8 C Service
10	532124926	Tube Rear (Service Item Only)
11	532104757	Cap Axle Blk 1 50 X 1 00
--	532144334	Sealant, Tire (10 oz. Tube)

NOTE: All component dimensions given in U.S. inches
1 inch = 25.4 mm

REPAIR PARTS

TRACTOR - MODEL NUMBER P155H (P155H42C), PRODUCT NO. 954 20 00-10
ENGINE



REPAIR PARTS

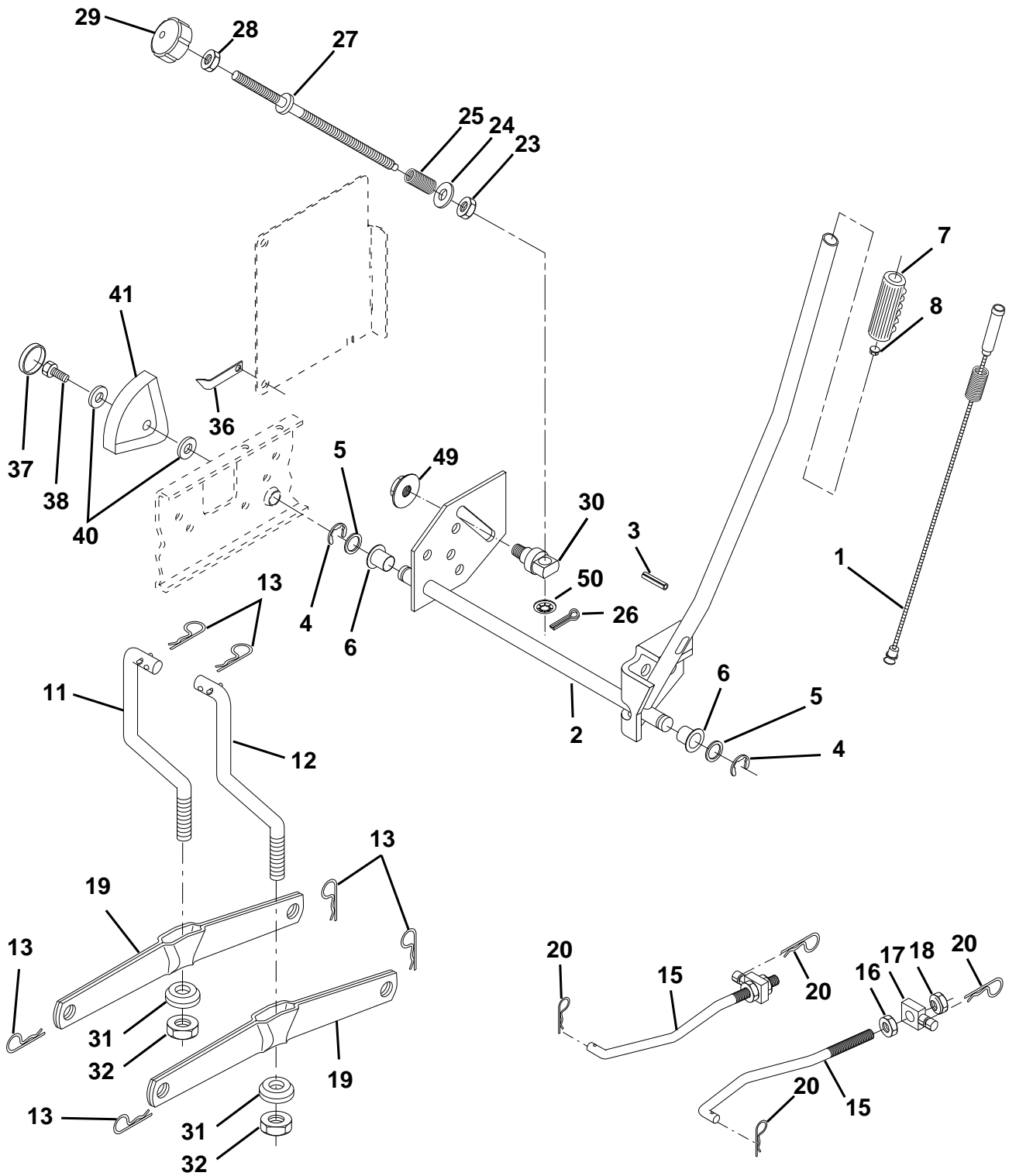
TRACTOR - MODEL NUMBER P155H (P155H42C), PRODUCT NO. 954 20 00-10
ENGINE

KEY NO.	PART NO.	DESCRIPTION
1	532141359	Control Th/ch LH Blk Flag Eec
2	817720410	Screw Hex Thd Cut 1/4-20x5/8 T
3	-----	Engine B&S Model No. 28U707 (Order parts from engine manufacturer)
4	532137352	Muffler LT B&S 14 HP
13	532165291	Gasket Eng 1 313 Id Tin Plated
14	813280324	Nipple Pipe 3/8 Npt X 3"
15	813200300	Elbow Std 90 Degree 3/8-18 Npt
16	811050600	Washer Lock Ext Tooth 3/8
23	532159880	Shield Brn/Dbr Guard
29	532137180	Kit Spark Arrestor 1 25
31	532161911	Tank Fuel Front 2 00
32	532140527	Cap Asm Fuel W/sym Vented
33	532123487	CLAMP Hose Blk
35	817490512	Screw Thdrol 5/16-18 x 3/4 TYT
37	532137040	Line Fuel 9 20"
38	-----	Plug Oil Drain (Order From Engine Manufacturer)
40	532124028	Bushing Snap Nyl Blk Fuel Line
44	817490412	Screw Hexwsh Thdrol 1/4-20x3/4
46	819091416	Washer 9/32 X 7/8 X 16ga
66	532127951	Stop Throttle 3000
62	810040500	Washer Lock Hvy Hlcl Spr 5/16
72	871070512	Screw Hexhd Cap 5/16-18x3/4
78	817490620	Screw Thdrol 3/8-16x1-1/4 TYTT
81	532128861	Nut Flange 1/4-20 Starter Nut

NOTE: All component dimensions given in U.S. inches
1 inch = 25.4 mm.

REPAIR PARTS

TRACTOR - MODEL NUMBER P155H (P155H42C), PRODUCT NO. 954 20 00-10
LIFT



REPAIR PARTS

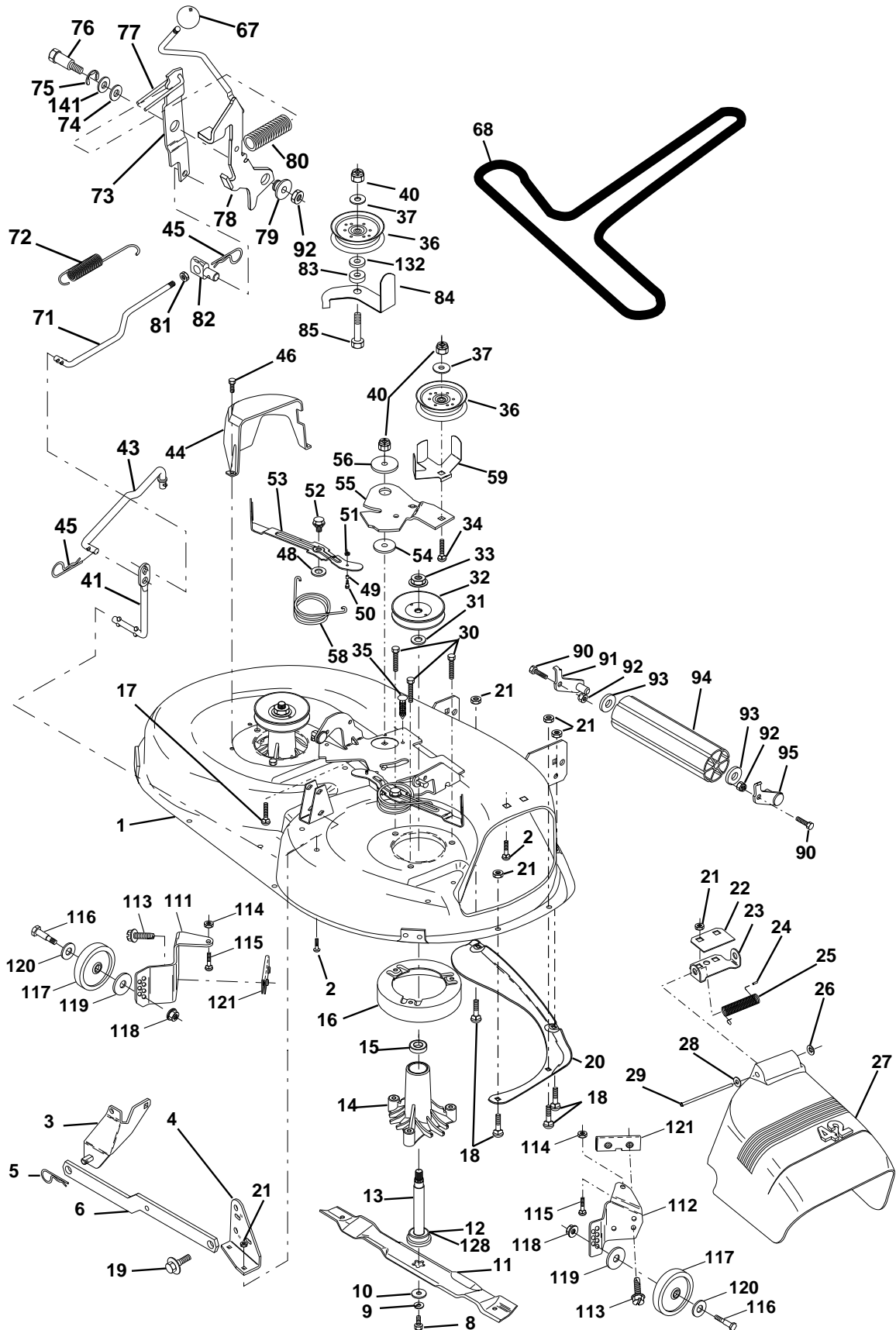
TRACTOR - MODEL NUMBER P155H (P155H42C), PRODUCT NO. 954 20 00-10
LIFT

KEY NO.	PART NO.	DESCRIPTION
1	532159460	Wire Asm Inner W/plunger
2	532159471	Shaft Asm Lift RH
3	532105767	Pin Groove 1 500 Zinc
4	812000002	E Ring #5133-62
5	819211621	Washer 21/32 X 1 X 21 Ga
6	532120183	Bearing Nylon Blk 629 Id
7	532109413	Grip Handle Bicycle Matte Blk.
8	532124526	Button Plunger Black
11	532139865	Link Lift LH Fixed Length
12	532139866	Link Lift RH Fixed Length
13	532124670	Retainer Spring
15	532127218	Link Front
16	873350800	Nut Jam Hex 1/2-13 Unc
17	532130171	Trunnion Blk Zinc
18	873680800	Nut Crownlock 1/2-13 Unc
19	532139868	Arm Suspension Rear
20	532163552	Retainer Spring
23	532110807	Nut Special
24	819131016	Washer 13/32 X 5/8 X 16 Ga
25	532124874	Spring 2-1/8"
26	876020308	Pin Cotter 3/32 X 1/2
27	532126971	Rod Adj Lift Zinc 7.49 Wrk Lg
28	873350600	Nut Hex Jam 3/8-16 Unc
29	532138057	Knob Inf 3/8-16 Unc Blk W/sym
30	532150233	Trunnion Dp Stop Dbl Thds PLT
31	532140302	Bearing Pvt Lift Spherical
32	873540600	Nut Crownlock 3/8-24
36	532155097	Pointer Pnt Height ind .505
37	532123935	Plug Hole Blk 1.485/1.515 Dia.
38	817490512	Screw Thdrol 5/16-18 x 3/4
40	819112410	Washer 11/32 x 1-1/2 10 Ga.
41	532123934	Scale Ind. Height Blk.
49	532145212	Nut Hex Flange Lock
50	532110452	Nut Push Phos & Oil

NOTE: All component dimensions given in U.S. inches
1 inch = 25.4 mm

REPAIR PARTS

TRACTOR - MODEL NUMBER P155H (P155H42C), PRODUCT NO. 954 20 00-10
MOWER DECK



REPAIR PARTS

TRACTOR - MODEL NUMBER P155H (P155H42C), PRODUCT NO. 954 20 00-10

MOWER DECK

KEY NO.	PART NO.	DESCRIPTION	KEY NO.	PART NO.	DESCRIPTION
1	532164961	Asm., Mower Deck 42"	54	532133943	Washer, Hardened
2	872140506	Bolt	55	532155046	Arm, Idler
3	532138017	Asm., Bar, Anti-Sway	56	532122052	Spacer, Retainer
4	532138440	Asm., Bracket, Anti-Sway Bar	58	532140086	Spring Torsion Brake
5	532124670	Spring, Retainer	59	532141043	Guard Idler TUV
6	532130832	Arm, Suspension, Rear	67	532162132	Knob Rd 3/8-16 Plstc Thds Blk
8	532850857	Bolt 3/8-24 x 1,25 Gr. 8	68	532144200	V-Belt, Mower
9	810030600	Washer, Lock	71	532142427	Rod, Clutch, Primary, with Nibs
10	532140296	Washer, Hardened	72	532131870	Spring, Extension, Return
11	532138498	Blade, Mower, High Lift	73	532127847	Arm, Clutch, Secondary
12	532129895	Bearing, Ball	74	532121748	Washer 25/32 x 1-5/8 x 16 Ga.
13	532137645	Asm., Shaft, Mandrel, Vented (includes key no. 12)	75	812000029	Ring, Klip
14	532128774	Housing, Mandrel, Vented	76	532128903	Bolt, Shoulder 3/8-16 UNC x 1.44
15	532110485	Bearing, Ball, Mandrel	77	532127845	Keeper, Spring
16	532140329	Stripper Round Mower	78	532160570	Arm, Clutch, Primary
17	872110610	Bolt	79	532127498	Bushing, Large, Brass
18	872140505	Bolt, Carriage 5/16-18 x 5/8	80	532153701	Spring Clutch Mower
19	532132827	Bolt Shoulder 5/16-18 Thd Form	81	873350600	Nut Hex Jam 3/8-16
20	532159770	Baffle	82	532142028	Trunnion Adj 94
21	873680500	Nut Crownlock 5/16-18 UNC	83	532120958	Washer Sintered
22	532134753	Stiffener, Bracket	84	532156084	Keeper Belt Idler
23	532131267	Bracket, Deflector	85	872140620	Bolt Rdhd Sq 3/8-16 Unc x 2-1/2
24	532105304	Cap, Sleeve	90	874760616	Bolt Hex 3/8-16 x 1
25	532123713	Spring, Torsion, Deflector	91	532132274	Asm., Bracket, Nose Roller Lh
26	532110452	Washer, Lock	92	873800600	Nut
27	532130968	Deflector, Shield	93	819171416	Washer 17/32 x 7/8 x 16 Ga.
28	819111016	Washer 11/32 x 5/8 x 16 Ga.	94	532132264	Nose Roller
29	532131491	Rod, Hinge	95	532132273	Asm., Bracket, Nose Roller Rh
30	532157722	Screw Thd Rolling Washer Head	111	532155197	Bracket, Gauge Wheel Lh
31	532129963	Washer, Spacer	112	532155198	Bracket, Gauge Wheel Rh
32	532153535	Pulley, Mandrel	113	817490512	Screw Thdrol 5/16-18 x 3/4 Tyt
33	532137266	Nut Lock 9/16	114	873510500	Nut, Keps 5/16-18
34	872110614	Bolt, Carriage 3/8-16 x 2-3/4	115	872110504	Bolt Carriage 5/16-18 x 1/2
35	532133835	Fastener Christmas Tree	116	532124842	Bolt, Shoulder
36	532131494	Pulley, Idler, Flat	117	532105455	Wheel, Gauge
37	819131316	Washer 13/32 x 13/16 16 Ga.	118	873930600	Nut, Centerlock 3/8-16 UNC
40	873680600	Nut, Carriage 3/8-16	119	819121414	Washer 3/8 x 7/8 x 14
41	532133551	Rod Pivot w/nibs	120	819171512	Washer 17/32 x 15/16 x 12 Ga.
43	532140083	Rod Clutch Secondary w/nibs	121	532143723	Bracket Extruded Gauge Wheel
44	532140088	Cover, Mandrel, Lh	128	532153390	Washer Felt
45	532124788	Spring Retainer 1"	132	819132203	Spacer Washer 13/32 I.D. x 1-3/8 O.D. x 1/4
46	532137729	Screw, Thdrol 1/4-20 x 5/8	141	532124931	Washer Thrust .75 x 1.230
48	532133944	Washer Hardened Smaller	--	532130794	Asm. Mandrel (includes key nos. 8-10, 12-15, 31 et 33)
49	532155066	Roller Asm Cam Folr Mech Decks	--	532164962	Deck, Mower, Complete (Order separately noseroller and gauge wheel components key nos. 90-95 and 111-121)
50	532131340	Bolt Shoulder 10-24			
51	532069180	Nut Lock #10-24			
52	532139888	Bolt Shoulder 5/16-18			
53	532131845	Arm Asm Brake Pad			

NOTE: All component dimensions given in U.S. inches
1 inch = 25.4 mm